

***MARATHON TRUCK BODIES***  
***----- MARKETING TRAINING SERIES***  
**TOPIC: A PICTURE IS WORTH A  
THOUSAND WORDS**

ATTACHED IS A BLUE PRINT EXPLOSION OF A DRY FREIGHT VAN BODY. THIS WILL ALLOW THE READER TO INSPECT THE SPECIFIC COMPONENTS AND PARTS THAT GO INTO BUILDING A VAN BODY OR HIGH CUBE BODY. ONE CAN SEE HOW THE CROSSMEMBERS ARE FITTED OVER THE LONG RAILS AND THE FLOOR INSTALLED OVER THE CROSSMEMBERS. FURTHER YOU CAN SEE HOW THE OUTER ALUMINUM WALLS ARE REINFORCED WITH VERTICAL WALL POSTS AND ADDITIONALLY STRENGTHENED WITH HORIZONTAL WOOD SLATS. THIS PRINT CAN HELP YOUR CUSTOMER UNDERSTAND DIFFERENCES BETWEEN DIFFERENT MANUFACTURERS OF VAN BODIES AND VARIOUS SPECIFICATIONS.

A SECOND ATTACHMENT OUTLINES THE VARIOUS TYPES OF DOORS AVAILABLE ON MARATHON VAN BODIES, HIGH CUBES AND PDV'S.

A THIRD ATTACHMENT OUTLINES THE VARIOUS BUMPERS AVAILABLE ON MARATHON BODIES.

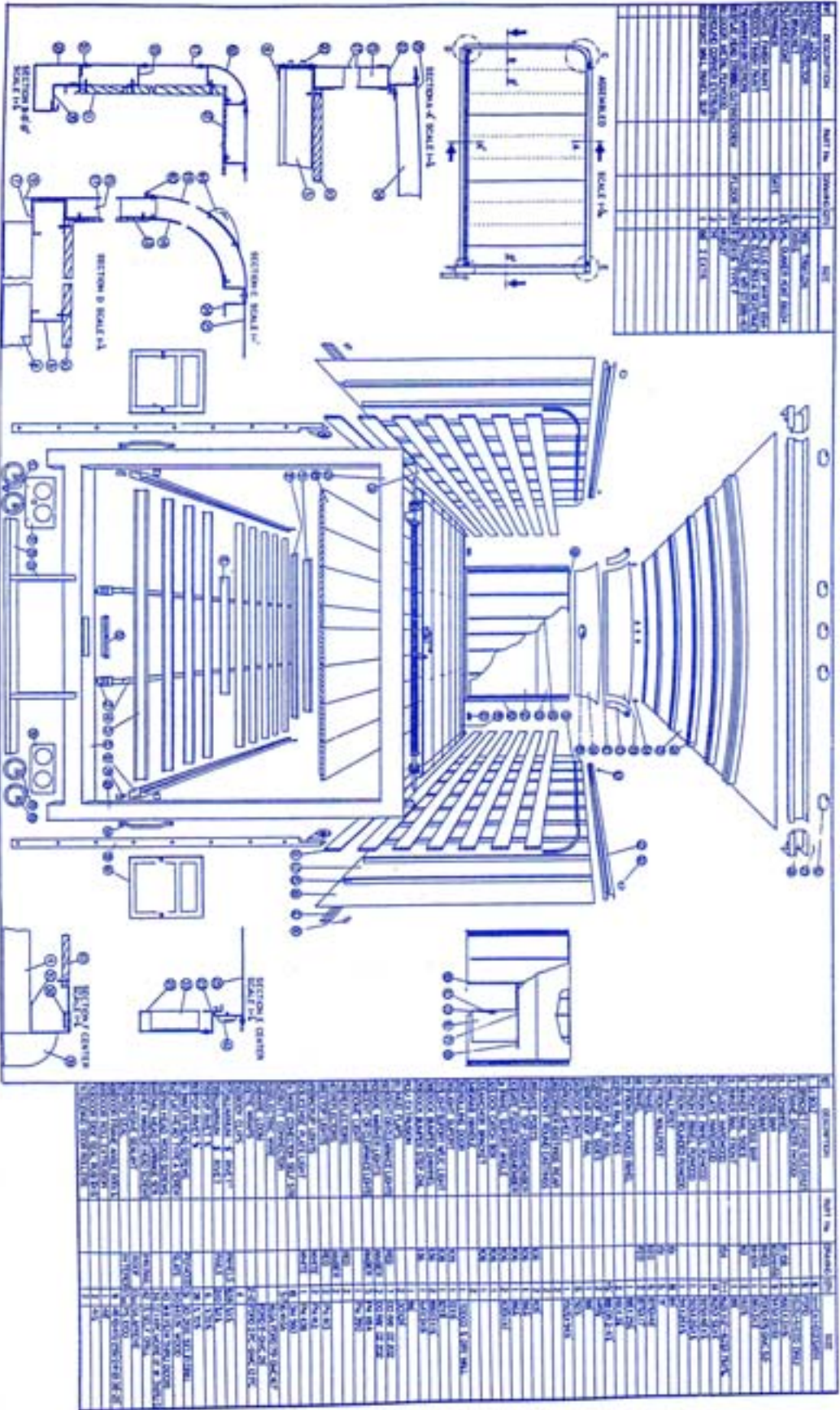
WHEN IT COMES TO MEETING YOUR CUSTOMERS EXACT NEEDS, MARATHON STANDS READY WITH A MYRIAD OF OPTIONS, DESIGNS AND FEATURES.

**Marathon**

**industries, inc.**

25655 Springbrook Avenue, Santa Clarita, California 91350-0279 • P.O. Box 800279 Santa Clarita, California 91380-0279  
Call: 888-286-1520 or 661-286-1520 • fax: 661-286-1533 • [www.marathontruckbody.com](http://www.marathontruckbody.com) • contact: [info@marathontruckbody.com](mailto:info@marathontruckbody.com)

# ALUMINUM VAN BODY OR PDV



28655 Springbrook Avenue, Santa Clarita, California 91350-0279 • P.O. Box 600279, Santa Clarita, California 91350-0279  
 28655 Springbrook Avenue, Santa Clarita, California 91350-0279 • P.O. Box 600279, Santa Clarita, California 91350-0279

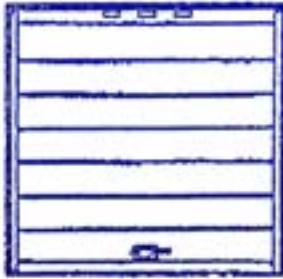
**Marathon**  
 Industries, Inc.

# Marathon

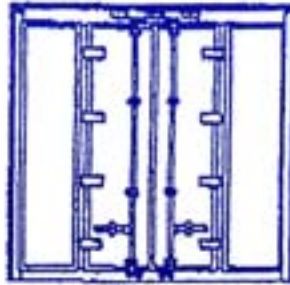
industries, inc.

## SIDE AND REAR DOORS FOR DRY FREIGHT AND REFRIGERATED VAN BODIES

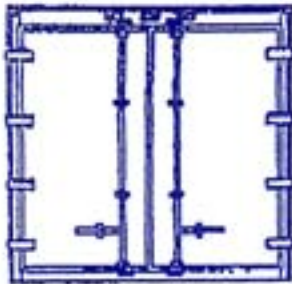
### REAR DOORS



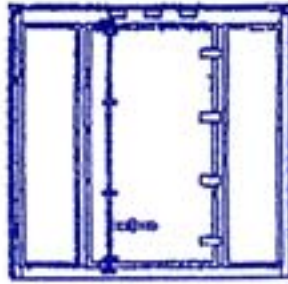
OVERHEAD  
REAR DOOR



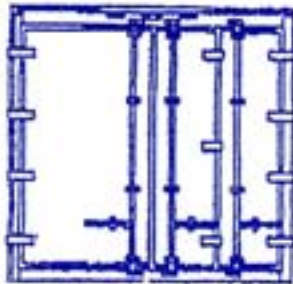
2 PANEL  
NARROW OPENING



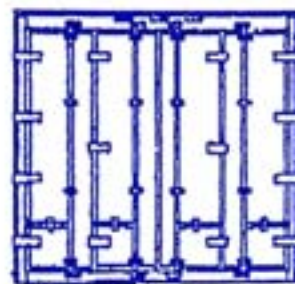
2 PANEL  
FULL OPENING



SINGLE PANEL  
NARROW OPENING

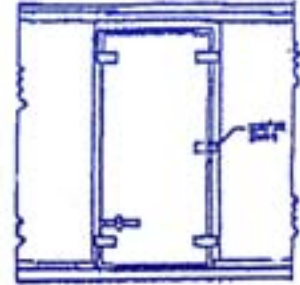


3 PANEL  
FULL OPENING

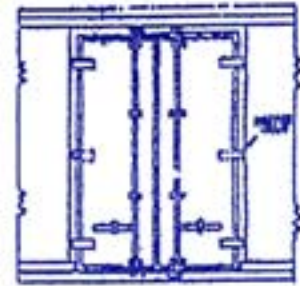


4 PANEL  
FULL OPENING

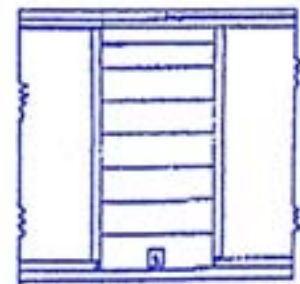
### SIDE DOORS



SINGLE PANEL  
SIDE DOOR



2 PANEL  
SIDE DOOR



OVERHEAD  
SIDE DOOR



AUTHORIZED POOL CONVERTER

25655 Springbrook Avenue, Santa Clarita, California 91350-0279 • P.O. Box 800279 Santa Clarita, California 91380-0279

Call: 888-286-1520 or 661-286-1520 • fax: 661-286-1533 • www.marathontruckbody.com • contact: info@marathontruckbody.com

# Marathon

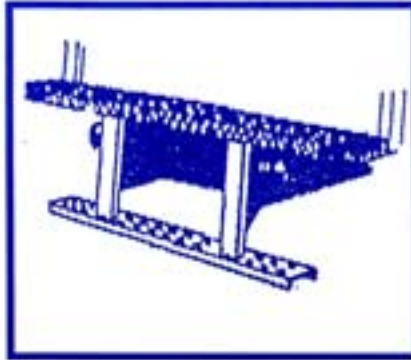
industries, inc.

## BUMPER SELECTION CHART

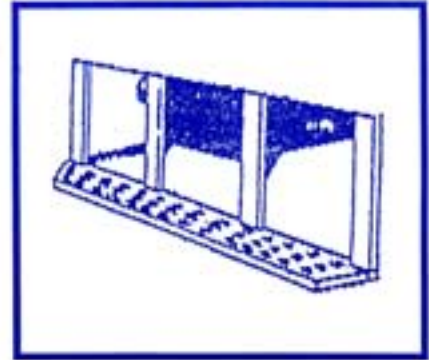
5" STRUCTURAL DOT UNDERRIDE  
WITH POCHED SURFACE (NO DOCK)



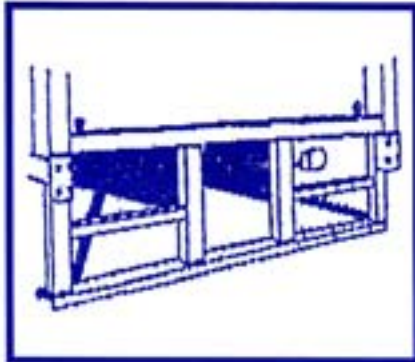
5" STRUCTURAL DOT UNDERRIDE  
WITH WOOD FILLED DOCK BUMPER



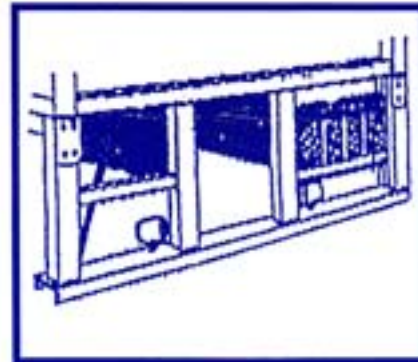
FULL WIDTH DROP STEP



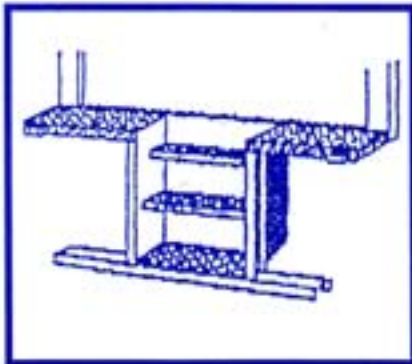
2 STEP FIXED



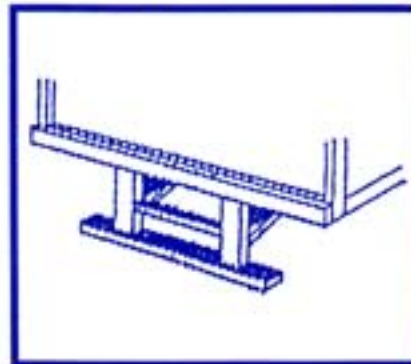
2 STEP FOLDOUT  
NOT APPLICABLE WITH WALK RAMP



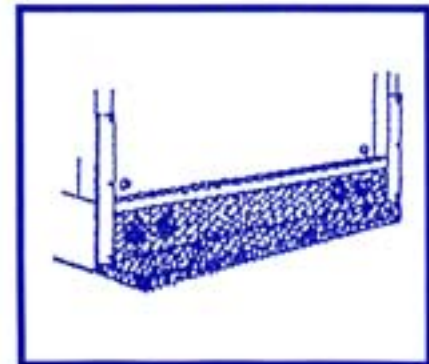
CENTER STYLE DROP STEP



RECTANGULAR STL. TUBING DOT  
UNDERRIDE WITH TUBULAR DOCK BUMPER



PARCEL VAN DROP STEP



AUTHORIZED POOL CONVERTER

25655 Springbrook Avenue, Santa Clarita, California 91350-0279 • P.O. Box 800279 Santa Clarita, California 91380-0279  
Call: 888-286-1520 or 661-286-1520 • fax: 661-286-1533 • [www.marathontruckbody.com](http://www.marathontruckbody.com) • contact: [info@marathontruckbody.com](mailto:info@marathontruckbody.com)